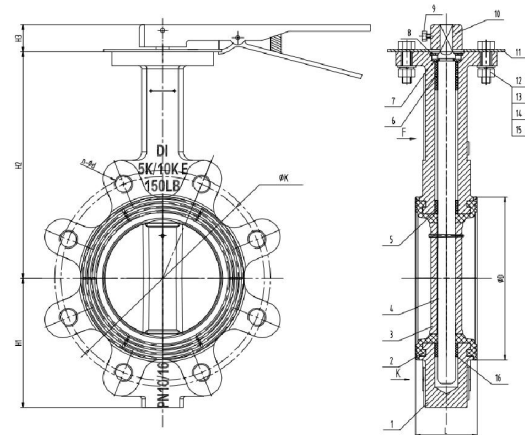


## Lug Butterfly Valve

### Product Description

Name	Description
Model	LTD71X-10/16/150LB/10K
Name	Lug Butterfly Valve
Size	DN50-DN250
Pressure	PN10/16/150LB/10K
Temp.	-20~120°C
Suitable Medium	Fresh water, sewage, seawater, weak acid and alkali, air, steam, etc.
Body	DI/WCB/CF3/CF3M/CF8/CF8M
Seat Seal	NBR/EPDM/PTFE/SI
Disc	DI/CF3/CF3M/CF8/CF8M/C954
Shaft	SS420/2Cr13/304/316
Actuator	Handle/Worm Gear/Electric/Pneumatic



### Executive Standard

Name	Standard
Design and Manufacture	GB/T 12238
Face to face Length	GB/T 12221
End Flange	GB/T 17241.6, EN1092-1, ASME B16.5, JIS 10K
Pressure Test	GB/T 13927

### Dimensions

DN	NPS(Inch)	H1	H2	H3	L	PN10		PN16		150LB		10K	
						ØK	n-Ød	ØK	n-Ød	ØK	n-Ød	ØK	n-Ød
50	2"	79	161	26	43	125	4-18	125	4-18	120.7	4-19	120	4-19
65	2 1/2"	82	175	30	46	145	4-18	145	4-18	139.7	4-19	140	4-19
80	3"	95	181	30	46	160	8-18	160	8-18	152.4	4-19	150	8-19
100	4"	114	200	30	52	180	8-18	180	8-18	190.5	8-19	175	8-19
125	5"	125	193	30	56	210	8-18	210	8-18	215.9	8-22.4	210	8-23
150	6"	139	209	40	56	240	8-22	240	8-22	241.3	8-22.4	240	8-23
200	8"	175	251	40	60	295	8-22	295	12-22	298.5	8-22.4	290	12-23
250	10"	213	283	40	68	350	12-22	355	12-26	362	12-25.4	355	12-25